

SILVI WALL HUNG BASIN

Cat. No.
4-304X



Faucet not included



Mounting hardware

W: 19-5/8"
D: 17-1/8"
H: 8-1/2"

Water depth 3-7/8" to overflow

Back of basin to center of faucet: 2-3/4"
Back of basin to center of drain: 8-3/8"

Interior Dimensions:

Basin Interior: 16-1/8" x 15-1/8"
Basin Depth: 5-7/8"
Mount holes cc: 7-1/2"
Faucet and spout holes: 1-3/8"
Drain hole: 2"

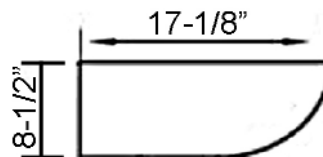
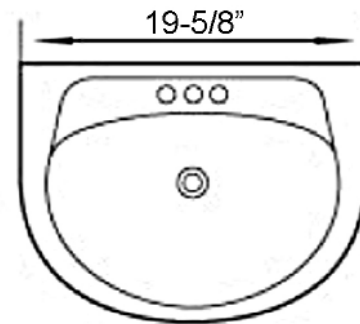
Features:

- ▶ Wall hung basin
- ▶ Made of vitreous china
- ▶ Mounting hardware included
- ▶ Available pre-drilled for single hole (4-3041), 4" centerset (4-3044), or 6" mini widespread (4-3046)
- ▶ Pre-drilled overflow

Colors:

White

Compliance Certification
Meets or exceeds the following specifications: ASME 12.19.2.2018 for vitreous china fixtures.



Dimensions of fixture are nominal and may vary within the range of tolerances established by ASME Standard A112.19.2.2018. Dimensions and specifications subject to change without notice.