

**AXOR MyEdition**  
**Single lever bath mixer floor-standing**  
Surfaces: **Chrome/Black Glass** Article Number: **47440601**



## Description

### product features

- projection 196 mm
- connection type: basic set
- plate of glass made of safety glass
- spray type mixer: normal spray
- spray type hand shower: Stream, IntenseRain
- flow rate at 3 bar: 20 l/min
- flow rate of hand shower at 3 bar: 6.6 l/min
- Ceramic cartridge
- min. operating pressure: 1 bar
- max. operating pressure: 10 bar
- temperature limitation adjustable
- with automatic resetting
- non-return valve
- connection dimension: DN15
- CEC/California/Watersaving
- cUPC/IAPMO/3016/Tap+shower/1,75pm
- DOE/FTC
- WaterSense/IAPMO/7286/Showers
- MASS/Massachusetts
- TECQ/Texas Registered

## Technology



**AXOR MyEdition**  
**Single lever bath mixer floor-standing**  
Surfaces: **Chrome/Black Glass** Article Number: **47440601**



## Product image

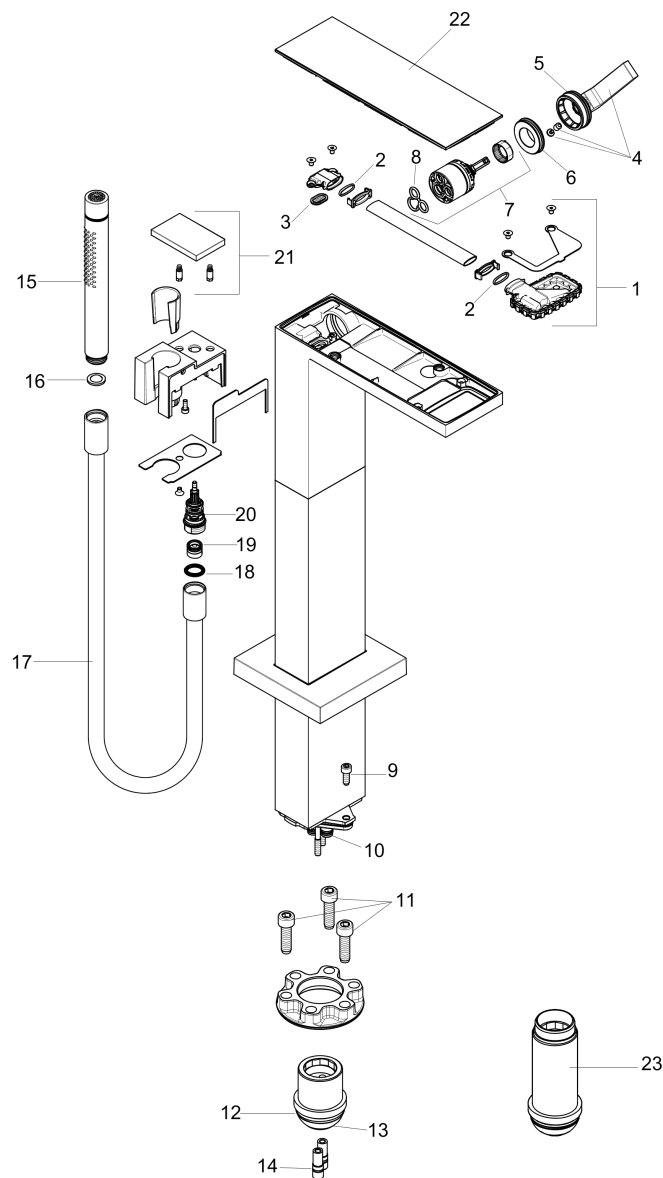


**AXOR MyEdition**  
**Single lever bath mixer floor-standing**  
Surfaces: **Chrome/Black Glass** Article Number: **47440601**



## Exploded Drawing

Year of production: >02/19



**AXOR MyEdition**  
**Single lever bath mixer floor-standing**  
 Surfaces: **Chrome/Black Glass** Article Number: **47440601**



## Spare part list

Year of production: >02/19

Pos.	Description	Article Number	PC	PU
1	spray former	93376000	0	1
2	O-ring 13x1,5	98475000	0	1
3	filter packing	93378000	0	1
4	handle	93361000	0	1
5	O-ring 35x1,5	92114000	0	1
6	nut	93363000	0	1
7	cartridge, assy	93185000	0	1
8	seal	95008000	0	1
9	hexagon socket screw M6x16	92857000	0	1
10	O-ring 9x1,5	98117000	0	1
11	hexagon socket screw M10x35	97670000	0	1
12	O-ring 44x2,5	98162000	0	1
13	O-ring 29x3	98371000	0	1
14	O-ring 7x2	98419000	0	1
15	handshower	04486000	0	1
16	filter packing	94246000	0	1
17	shower hose 1,25 m	28282000	0	1
18	seal	98058000	0	1
19	set of non return valves DW 15	94074000	0	1
20	selector	97978000	0	1
21	diverter knob	93362000	0	1
22	cover	47901600	0	1
23	extension set 60 mm	97686000	0	1