



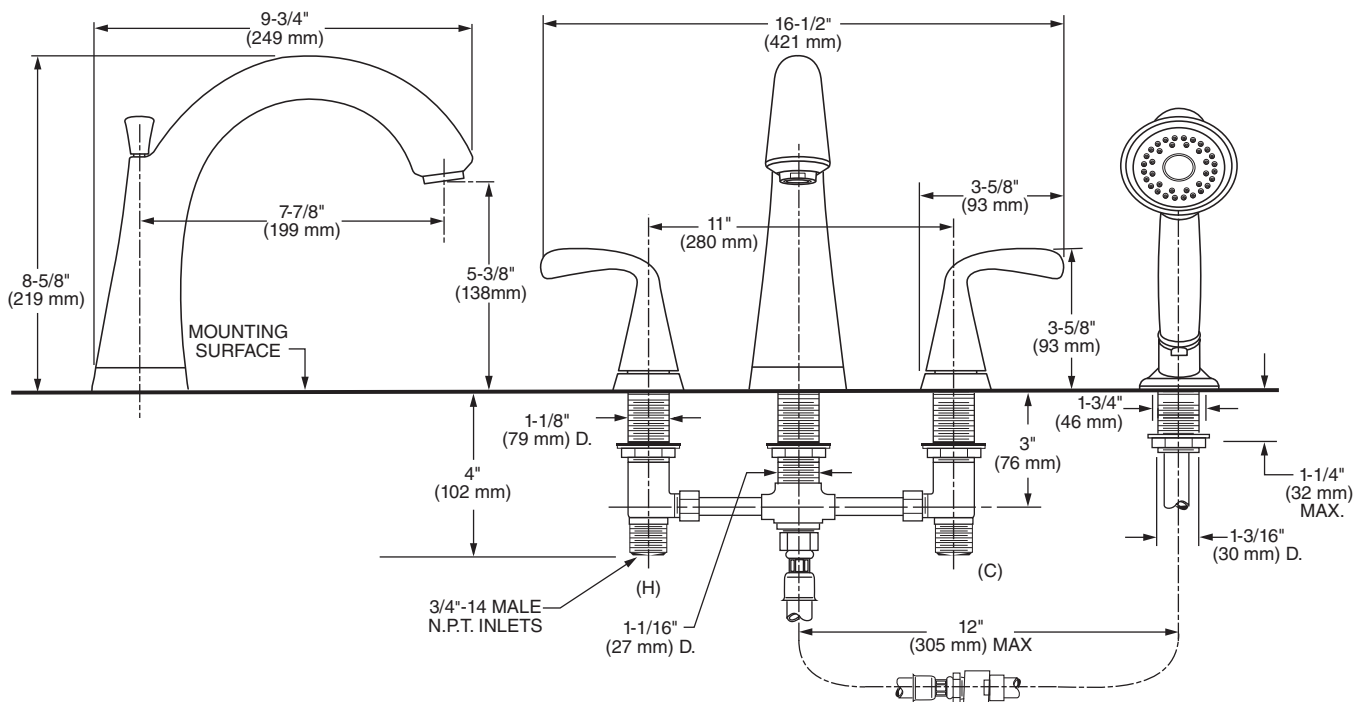
7186.901 Shown

MODEL NUMBER:

- ❑ **7186.901 Deck-Mount Tub Filler**
Personal shower. Metal lever handles.
- ❑ **7186.900 Deck-Mount Tub Filler**
LESS personal shower. Metal lever handles.

AVAILABLE ACCESSORY:

- ❑ **8888.900 Deck-Mount Tub Filler Flex Hose Kit**



GENERAL DESCRIPTION:

Durable brass spout with built-in diverter (on 7186.901). Rigid brass and copper waterway below deck provided for 12" installations (can be cut for 8" installations). Brass valve bodies with 3/4" NPT inlets. 1/4 turn washerless ceramic disc valve cartridges. Personal shower features a 6-1/2' long hose (1-1/2' heavy duty hose and 5' decorative hose.) 2.5 gpm/9.5 L/min. maximum flow rate.

PRODUCT FEATURES:

Brass Construction: Durable. Ideal for prolonged contact with water. Provides the finest surface for application of all finishes.

Ceramic Disc Valve Cartridge: Assures a lifetime of smooth handle operation and drip-free performance.

Exclusive Handle Alignment System: Allows fine tuning of handle position.

SUGGESTED SPECIFICATION

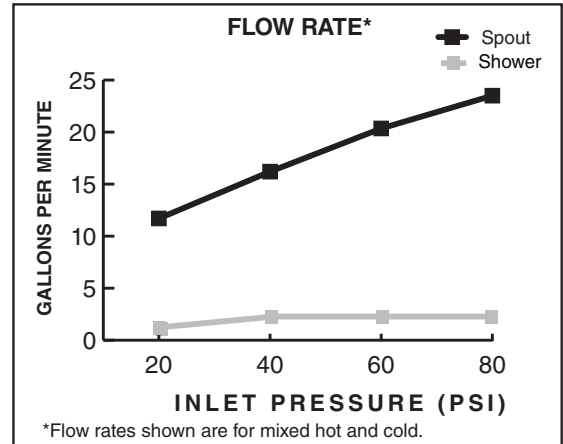
Two-handle deck-mount tub filler shall feature brass construction with brass and copper waterway. Shall also feature 1/4 turn washerless ceramic disc valve cartridges. Fitting shall be American Standard Model #7186.....

CODES AND STANDARDS

These products meet or exceed the following codes and standards:


- ANSI A117.1**
- ASME A112.18.1**
- CSA B125.1**

Check local plumbing codes. Some installations may require a vacuum breaker.



Product Number	Description		Finish Options		
			Polished Chrome	Legacy Bronze	PVD Satin Nickel
			002	278	295
7186.901	Deck-Mount Tub Filler. Personal shower. Metal lever handles.	ADA			
7186.900	Deck-Mount Tub Filler. LESS personal shower. Metal lever handles.	ADA			
8888.900	Deck-Mount Tub Filler Flex Hose Kit		N/A	N/A	N/A

N/A = Not Available

 Meets the American Disabilities Act Guidelines and **ANSI A117.1** Requirements for the physically challenged.