

AMERICAN STANDARD ONE-YEAR LIMITED WARRANTY

If inspection of this American Standard plumbing product, within one year after its initial installation, confirms that it is defective in materials or workmanship, American Standard will repair or, at its option, exchange the product for a similar model.

This limited warranty **does not apply** to local building code compliance; since local building codes vary considerably, the purchaser of this product should check with a local building or plumbing contractor to insure local code compliance before installation.

This warranty **shall be void** if the product has been moved from its initial place of installation; if it has been subjected to faulty maintenance, abuse, misuse, accident or other damage; if it was not installed in accordance with American Standard's instructions; or if it has been modified in a manner inconsistent with the product as shipped by American Standard.

American Standard's option to repair or exchange the product under this warranty does not cover any labor or other costs of removal or installation, **nor shall American Standard be responsible for any other incidental or consequential damages attributable to a product defect or to the repair or exchange of a defective product, all of which are expressly excluded from this warranty.** (Some states or provinces do not allow the exclusion or limitation of implied warranties, so this exclusion may not apply to you.)

This warranty gives you specific legal rights. You may have other statutory rights that vary from state to state or from province to province, in which case this warranty does not affect such statutory rights.

For service under this warranty, it is suggested that a claim be made through the contractor or dealer from or through whom the product was purchased, or that a service request (including a description of the product model and of the defect) be sent to the following address:

In the United States:

AMERICAN STANDARD, INC.
P.O. Box 6820
Piscataway, New Jersey 08855
Attn: Director of Consumer Affairs

For residents of the United States, warranty information may also be obtained by calling the following toll free number: (800) 223-0068

In Canada:

AMERICAN STANDARD, INC.
1401 Dupont Street
Toronto, Ontario Canada M6H 2B1
Toll Free: (800) 387-0369 Toronto Area: (416) 536-5609

In Mexico:

IDEAL STANDARD, S.A. de C.V.
Customer Service Manager
Planta Santa Clara, Via Morelos #330
Santa Clara Coatitla
Ecatepec de Morelos 55540,
Estado de Mexico, Mexico

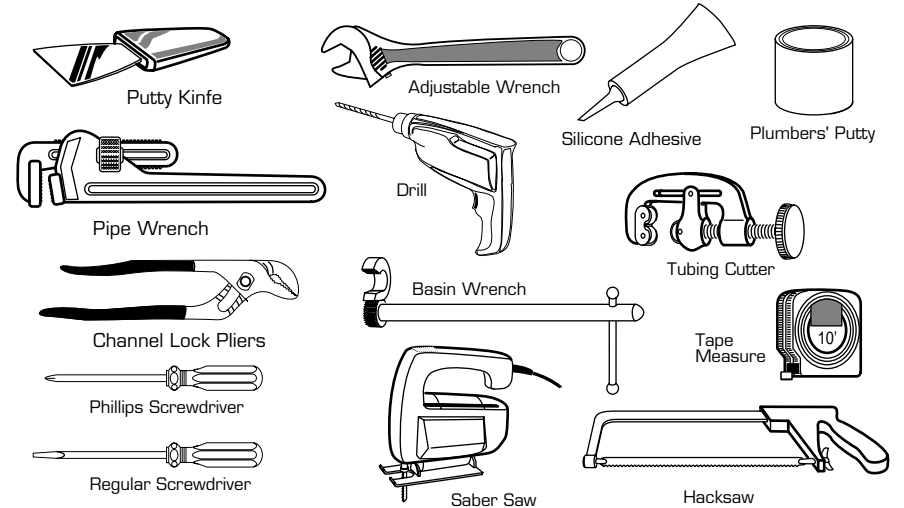
Undercounter Lavatory

Installation Instructions

Observe Local Plumbing and Building Codes

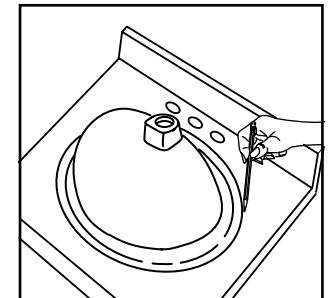
Introduction: Thank you for selecting our products...products which have been the benchmarks of fine quality for years. To help insure that the installation process will proceed smoothly, please read these instructions carefully before you begin. Also, review the recommended tools and materials list; carefully unpack and examine your new plumbing fixture.

Recommended Tools & Materials



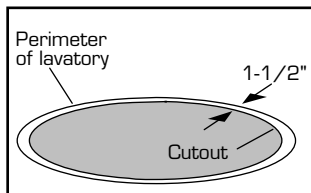
1

If making a cutout is necessary, locate the position of the lavatory. Provide proper clearance under the countertop for the faucet supply lines, drain assembly and the structural parts of the cabinet. Turn upside down and trace perimeter of lavatory. NOTE: If replacing an existing lavatory be certain to shut off water supply before removing old lavatory.



American Standard *Ideal Standard* *Inessa Standard* *Sadona Standard* *Cedexa* **Saniwares**

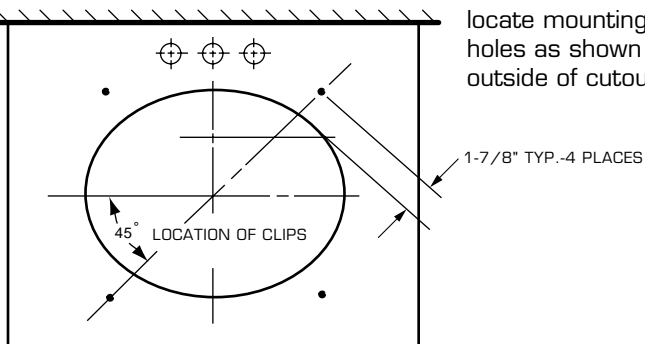
Product names listed herein are trademarks of American Standard Inc. unless otherwise noted.

2

Cut opening 1-1/2" inside the perimeter line of the lavatory.

3

LOCATION OF MOUNTING HOLES

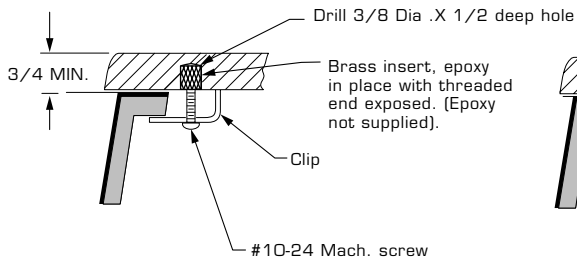


On **underside** of countertop, locate mounting hardware holes as shown 1-7/8" outside of cutout.

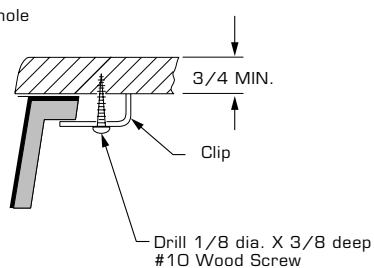
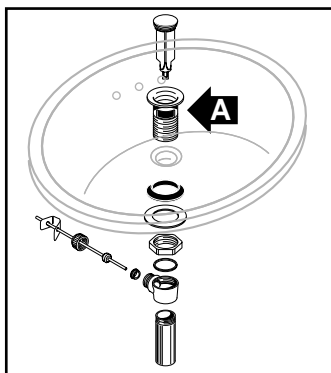
4

INSTALL MOUNTING HARDWARE

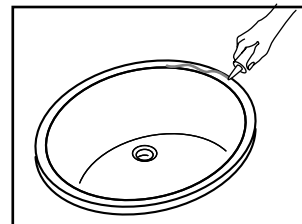
FOR MARBLE OR SOLID SURFACES



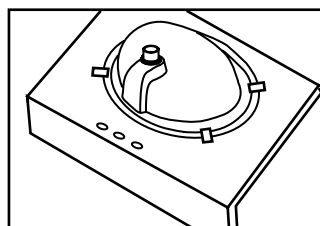
FOR WOOD

**5**

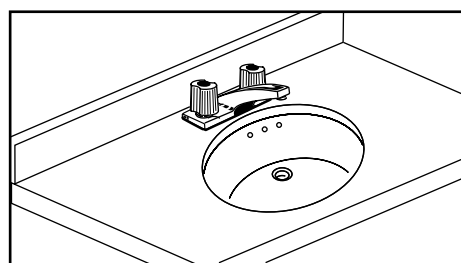
Mount the drain assembly (not included) on the lavatory, following faucet manufacturer's instructions. Be certain to apply a bead of sealing putty on the underside of the drain (Part "A") in order to ensure a watertight seal between the lavatory and drain. Remove excess putty after installing drain on lavatory.

6

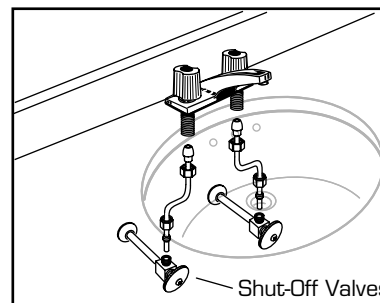
After checking fit and alignment of lavatory to cut out, apply a bead of silicone adhesive to rim of lavatory.

7

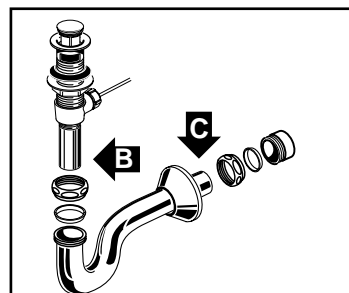
Center bowl over cutout and tighten screws (see 4) to secure bowl to countertop. Remove excess sealant from inside lip.

8

Install faucet (not included) and countertop (not included) following manufacturers instructions.

9

Connect supply line to faucet (finger tight) and carefully bend tubes to engage with the supply shut-off valves. Tighten connections at faucet and shut-off valves for water tight seal.

10

Connect trap to drain assembly hand tight to check alignment. It may be necessary to cut off part of the tailpiece (area "B") or part of the horizontal leg of the trap (area "C"). Secure joints for watertight assembly.