

# 7248PAN – EVERYDAY SHOWER PANS

71 3/4 x 47 5/8 x 5 inches



Shown with optional brass drain assembly.

## FEATURES

- Shower pan
- Slip-resistant, textured bottom
- Integral tiling flange (3T)
- Center drain
- AcrylX™ applied acrylic surface
- Lifetime limited warranty

## OPTIONS

- Brass drain assembly and cover

## AQUATIC ADVANTAGE

- National distribution
- 7 manufacturing facilities
- Private fleet
- Centralized customer service
- Field support

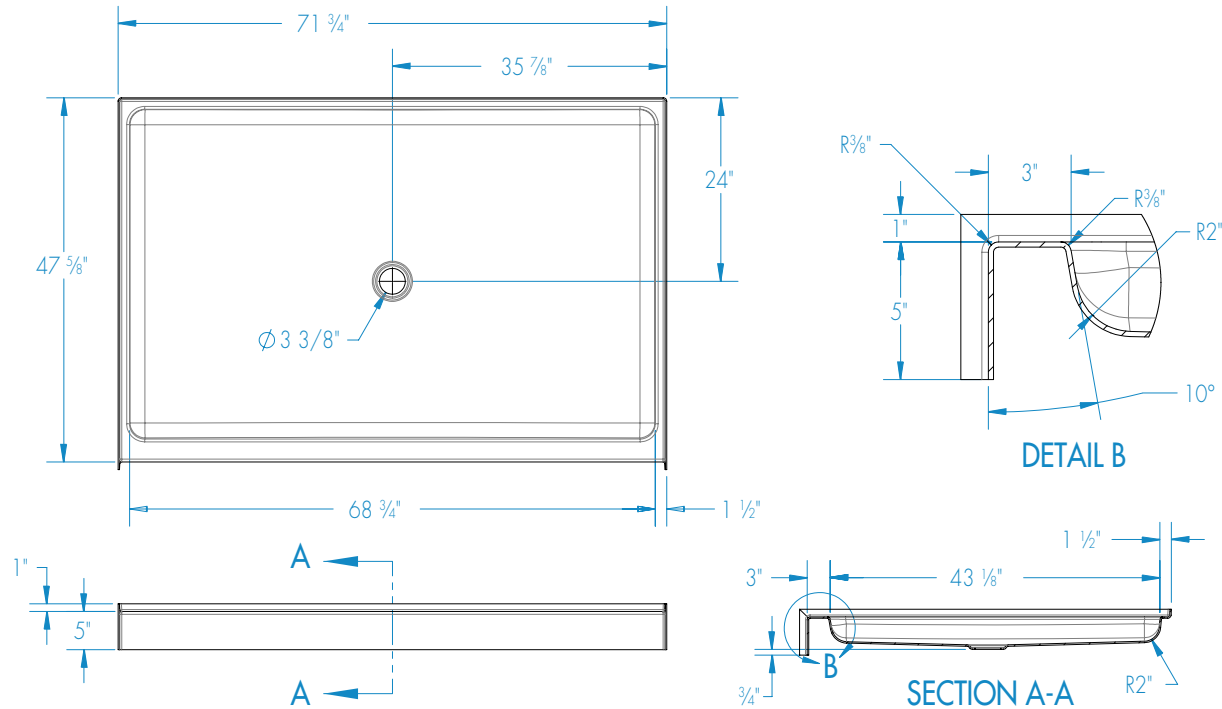
## COLOR OPTIONS

Stock	Upgraded	Premium
White	Almond Linen/Biscuit Bone	Black Mexican Sand Sand Bar Sterling Silver



# 7248PAN

71 3/4 x 47 5/8 x 5 inches



**FEATURES** Dimensional Tolerance  $\pm \frac{3}{8}"$ . Dimensions needed for site preparation should be measured from the unit. Aquatic assumes no responsibility for preparatory work.

Model #	Material	Drain	Net Wt. lbs.	Pkg. Wt. lbs.
Shower Pan #7248PAN	AcrylX™	Center	86	91

## DIMENSIONS

Specifications	inches
Width: Overall / Net	71 3/4
Depth: Overall / Net	48
Height: Overall / Net	6 / 5
Enclosure Opening	-
Skirt Height	5
Drain Rough-In (from Back Wall)	24
Drain Rough-In (from Side Wall)	36
Drain: Diameter / Clearance	3 3/8 / 3/4

## FRAMING DIMENSIONS inches

Type	D Depth	W Width	H Height	A	B	C
Alcove	48	72	-	Box Out	36	24

